

# Mini Controller with Text message alerts

# AL2-GSM V4



The embedded AL2-GSM Modem integrates completely with the Mitsubishi Alpha XL – fitting internally into the expansion port.

Designed exclusively to work with the Mitsubishi GSM command set, you can control your process and send “live” data and alarm SMS messages based on event or time driven actions.

Call the unit to reset an output or request a message. Change values by SMS.

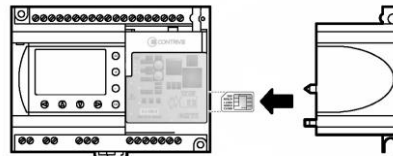
Now you have the functionality of a micro PLC with the communication power of GSM

For further information please contact SeNd Technology.



### Applications:

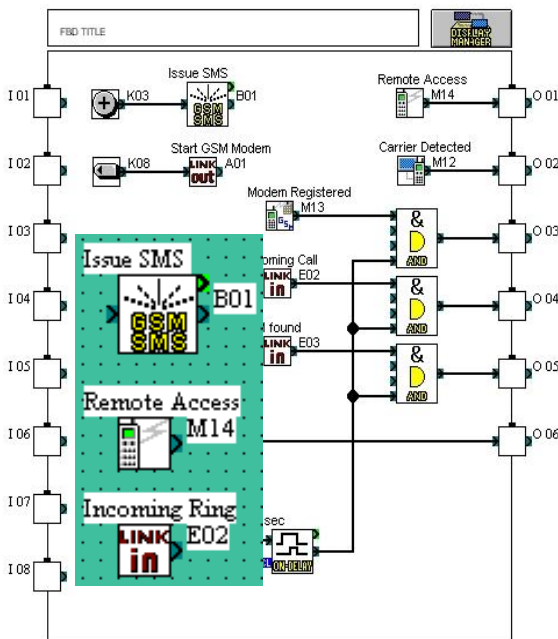
- Plant Control
- Remote Pumping Stations
- Process Control
- Alarm Systems
- Scheduled Maintenance
- Plant Maintenance
- Machinery OEMS
- Water processing
- Refrigeration Sites
- Cargo Handling
- Car Parks



GSM modem fits inside Alpha unit



## SMS functions build directly into Alpha Configuration Software



### Send “live” data by text message.



### Two versions:

- 8 inputs & 6 outputs
- 15 inputs & 9 outputs

Any information displayed on the LCD panel on the front of the Alpha (including variable data) can be sent as a SMS message to multiple recipients.

Action events just by “ringing” the unit or sending a custom SMS. E.g. Pump ON.

Description	Part No.	List Price
Mitsubishi Alpha XL - just GSM modem	<b>SMCALGSM01</b>	Please call
Mitsubishi Alpha XL (with AL2-GSM Module) 24vdc - 8 in/6 out plus built-in GSM	<b>SMCAL001</b>	Please call
Mitsubishi Alpha XL (with AL2-GSM Module) 24vdc - 15 in/9 out plus built-in GSM	<b>SMCAL002</b>	Please call
STARTER KIT* - Alpha XL (with embedded AL2-GSM 4 module) 24vdc. 8 in/6 out, Prog cable and s/w, external antenna & UK PAYG SIM	<b>SMCALSK14IO</b>	Please call
STARTER KIT* - Alpha XL (with embedded AL2-GSM 4 module) 24vdc. 15in/9 out, Prog cable and s/w, external antenna & UK PAYG SIM	<b>SMCALSK24IO</b>	Please call

\* Note only one starter kit per customer